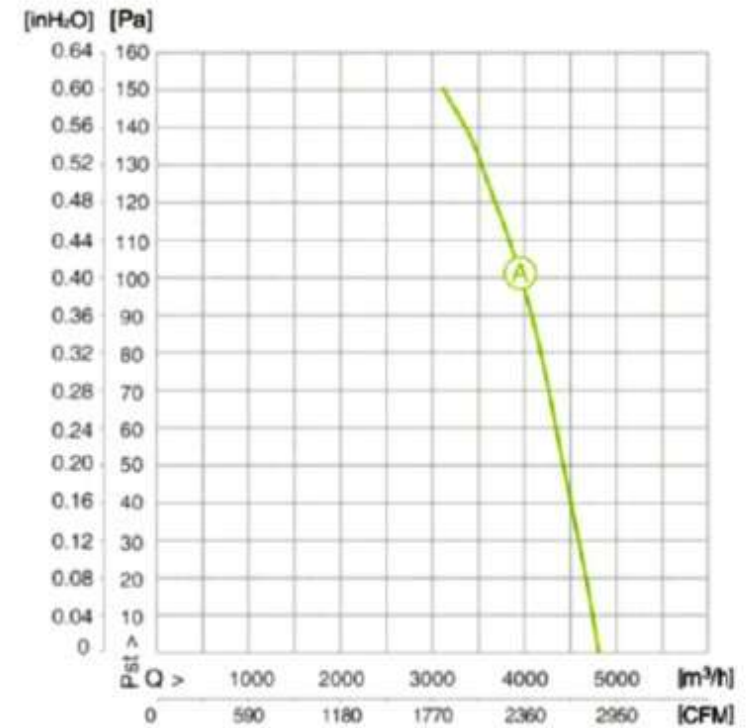
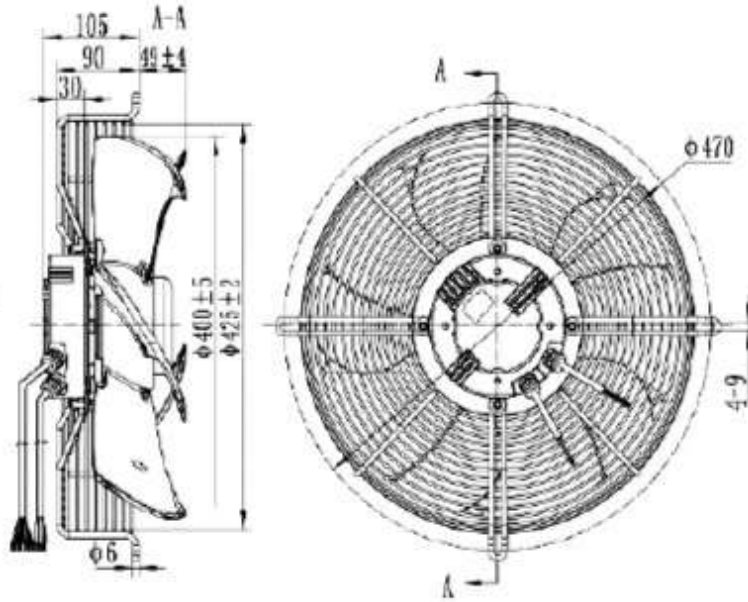
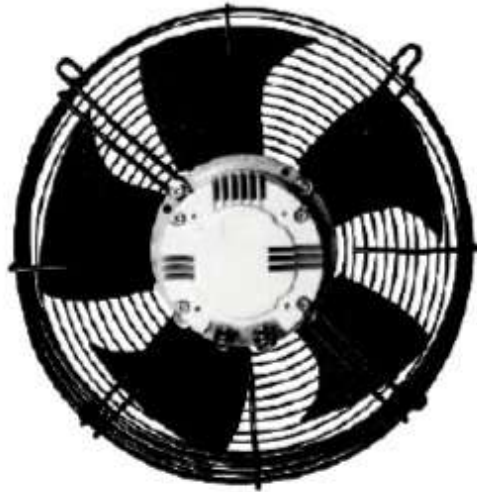


# EC AXIAL FAN Φ400



Material : Blade Plastic, Rotor : Coated in Black, Electronics enclosure Die-cast Aluminium

Technical Features : Control Input : 0-10 VDC/PWM: Control Input 4-20mA, Speed Signal Feedback Single auxiliary output power supply, 10V DC+/- 10% max 10mA

Protection : Current Limitation, Stall Protection, Soft Start Protection, Open Phase protection, Overheating Protection, Over/Under Voltage Protection.

IP 54 Protection, Fan Blades : 5

Rotation Direction : Clockwise, see on the Leads (Suction)

Mounting Position : Horizontal or Vertical

Bearing : Maintenance Free Ball Bearing

Operation Mode : S1

MODEL	VOLTAGE (V)	FREQUENCY (Hz)	AIR VOLUME (m³/h)	SPEED (r/min)	INPUT (W)	CURRENT (A)	NOISE (dB(A))	Approvals	Insulation	WIRING DIAGRAM	AMBIENT TEMPERATURE
PMDWF84L50-470N-400 PA	1~ 230	50/60	4800	1600	273	1.19	66	CQC, CE, UL	Class F	PG # 31	-25 ~ + 60 Deg. C