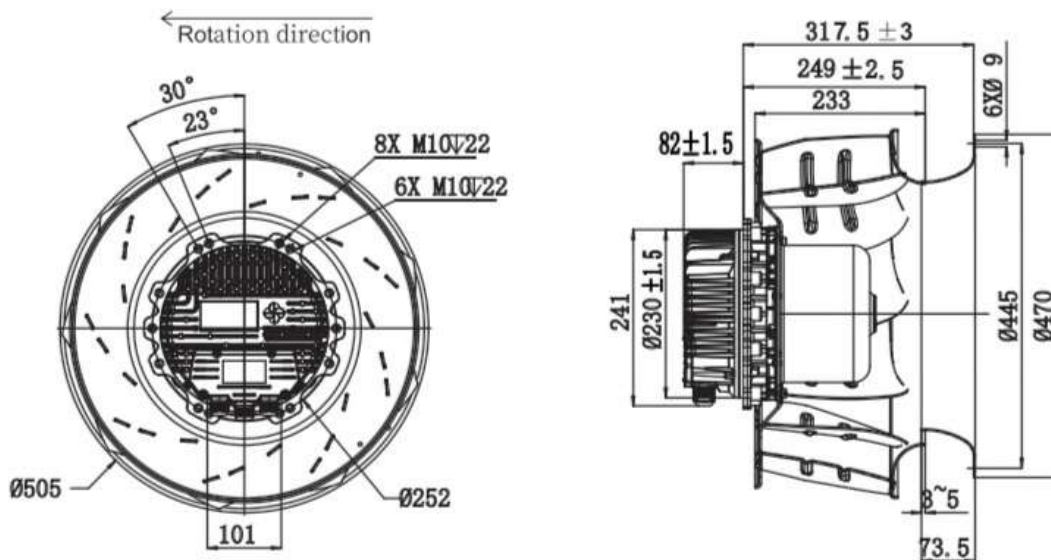
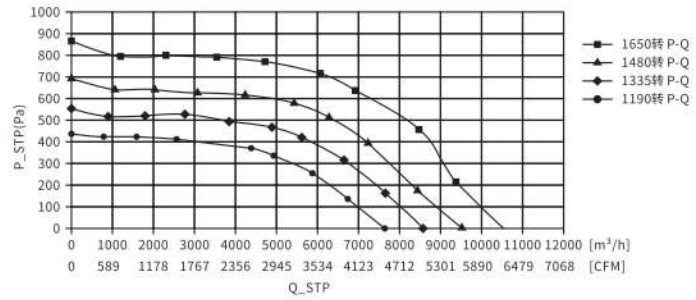


Material : Impeller made of aluminum alloy  
 Type of protection: IP54  
 Technical features : Control input 0-10VDC / PWM Tach output  
 Bearing : Ball bearing  
 Protection: Locked-rotor protection , Current limited, Under-voltage and over-voltage lockout protection, Soft start  
 Motor Insulation Class:F  
 Direction of rotation:Unclockwise, see on the leads  
 Approvals:CCC  
 Amb Temp:-25°C~+60 °C

Type	Motor	Voltage (VAC)	Frequency (Hz)	Airflow (m³/h)	Airflow (CFM)	Speed (rpm)	Power (W)	Current (A)	Noise Lp:dB(A)
SC500F5-AKT-00	DM150F5-AKT-01	3~380	50/60	10500	6180	1650	1350	2.2	85





Material : Impeller made of aluminum alloy  
 Type of protection: IP54  
 Technical features : Control input 0-10VDC / PWM Tach output  
 Bearing : Ball bearing  
 Protection: Locked-rotor protection , Current limited, Under-voltage and over-voltage lockout protection, Soft start  
 Motor Insulation Class:F  
 Direction of rotation:Unclockwise, see on the leads  
 Approvals:CCC  
 Amb Temp:-25°C~+60 °C

Type	Motor	Voltage (VAC)	Frequency (Hz)	Airflow (m³/h)	Airflow (CFM)	Speed (rpm)	Power (W)	Current (A)	Noise Lp:dB(A)
SC500F5-AKT-00	DM150F5-AKT-01	3~380	50/60	10500	6180	1650	1350	2.2	85

