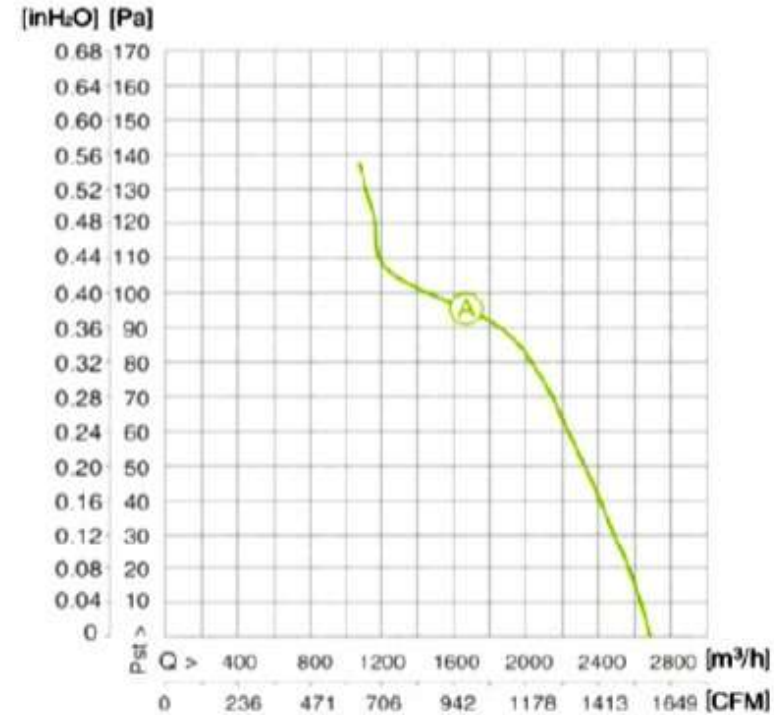
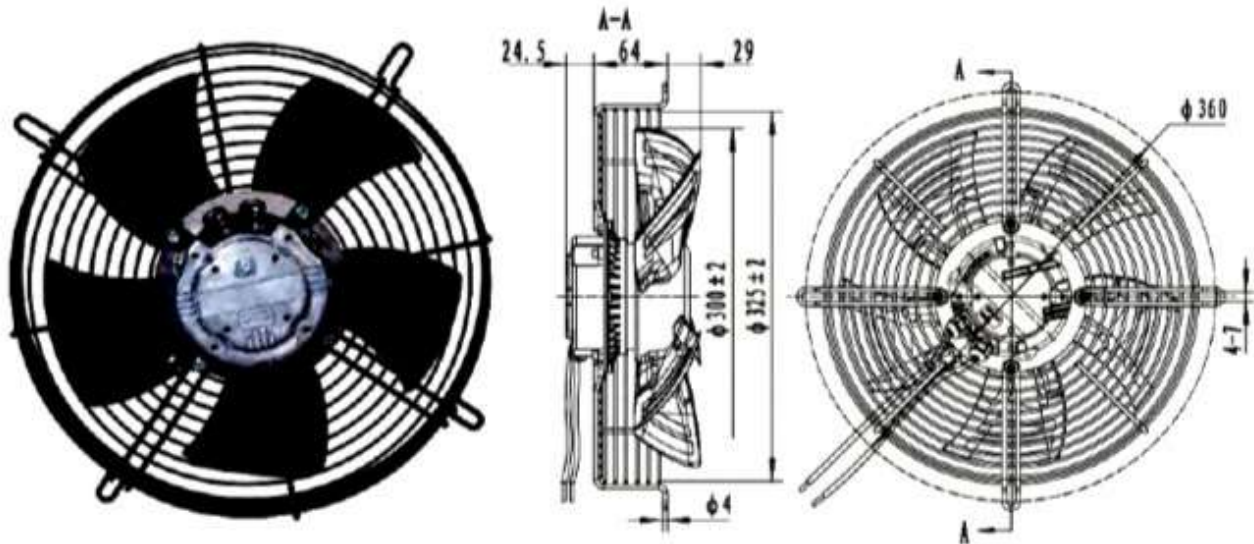


EC AXIAL FAN Φ300



Material : Blade Plastic, Rotor : Coated in Black, Electronics enclosure Die-cast Aluminium

Technical Features : Control Input : 0-10 VDC/PWM: Control Input 4-20mA, Speed Signal Feedback Single auxiliary output power supply, 10V DC+/- 10% max 10mA

Protection : Current Limitation, Stall Protection, Soft Start Protection, Open Phase protection, Overheating Protection, Over/Under Voltage Protection.

IP 54 Protection, Fan Blades : 5

Rotation Direction : Clockwise, see on the Leads (Suction)

Mounting Position : Horizontal or Vertical

Bearing : Maintenance Free Ball Bearing

Operation Mode : S1

| MODEL | VOLTAGE (V) | FREQUENCY (Hz) | AIR VOLUME (m³/h) | SPEED (r/min) | INPUT (W) | CURRENT (A) | NOISE (dB(A)) | Approvals | Insulation | WIRING DIAGRAM | AMBIENT TEMPERATURE |
|------------------------|-------------|----------------|-------------------|---------------|-----------|-------------|---------------|-------------|------------|----------------|---------------------|
| PMDWF74L25-360P-300 PA | 1~ 230 | 50/60 | 2775 | 2100 | 126 | 0.87 | 65 | CQC, CE, UL | Class F | PG # 30 | -25 ~ +60 Deg. C |