

COMMONWEALTH DC BRUSHLESS BLOWER

CIC-80

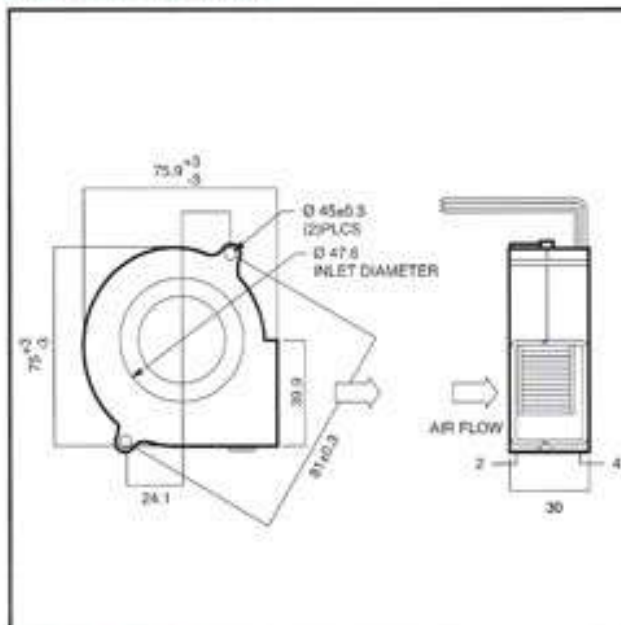
76x75x30mm

DESIGN FEATURES

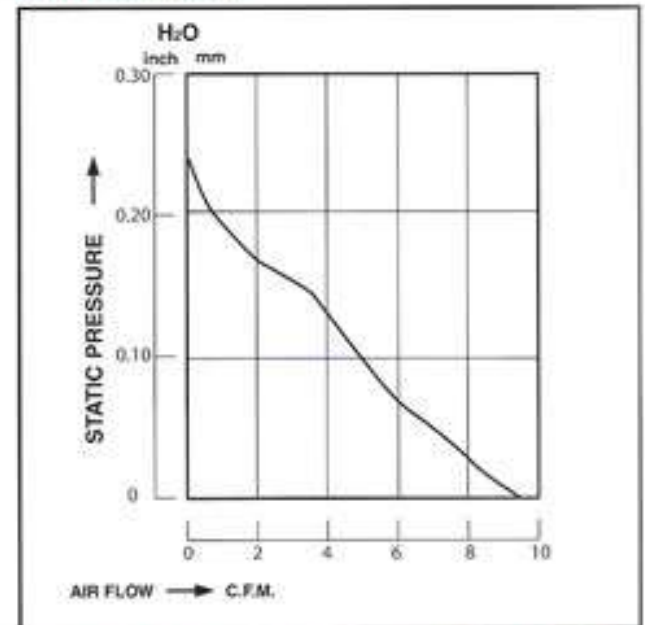
- *BEARING SYSTEM: BALL BEARING & SLEEVE BEARING
- *IMPELLER: PLASTIC WITH FIBER GLASS FILLED UL 94V-0
- *HOUSING: PLASTIC WITH FIBER GLASS FILLED UL 94V-0
- *MOTOR: BRUSHLESS DC
- *CONNECTING: WIRE LEADS



DIMENSIONS:MM



PERFORMANCE



SPECIFICATIONS

Specifications are subject to change without notice

MODEL NO.	VOLTAGE (VDC)	AIR (CFM)	VOLUME (M ³ /MIN)	CURRENT (A)	POWER (W)	SPEED (RPM)	STATIC PRESSURE (INCH-H ₂ O)	NOISE (dBA)
CIC-80	12	9.5	0.27	0.20	2.40	2900	0.23	32
CIC-80	24	9.5	0.27	0.12	2.88	2900	0.23	32