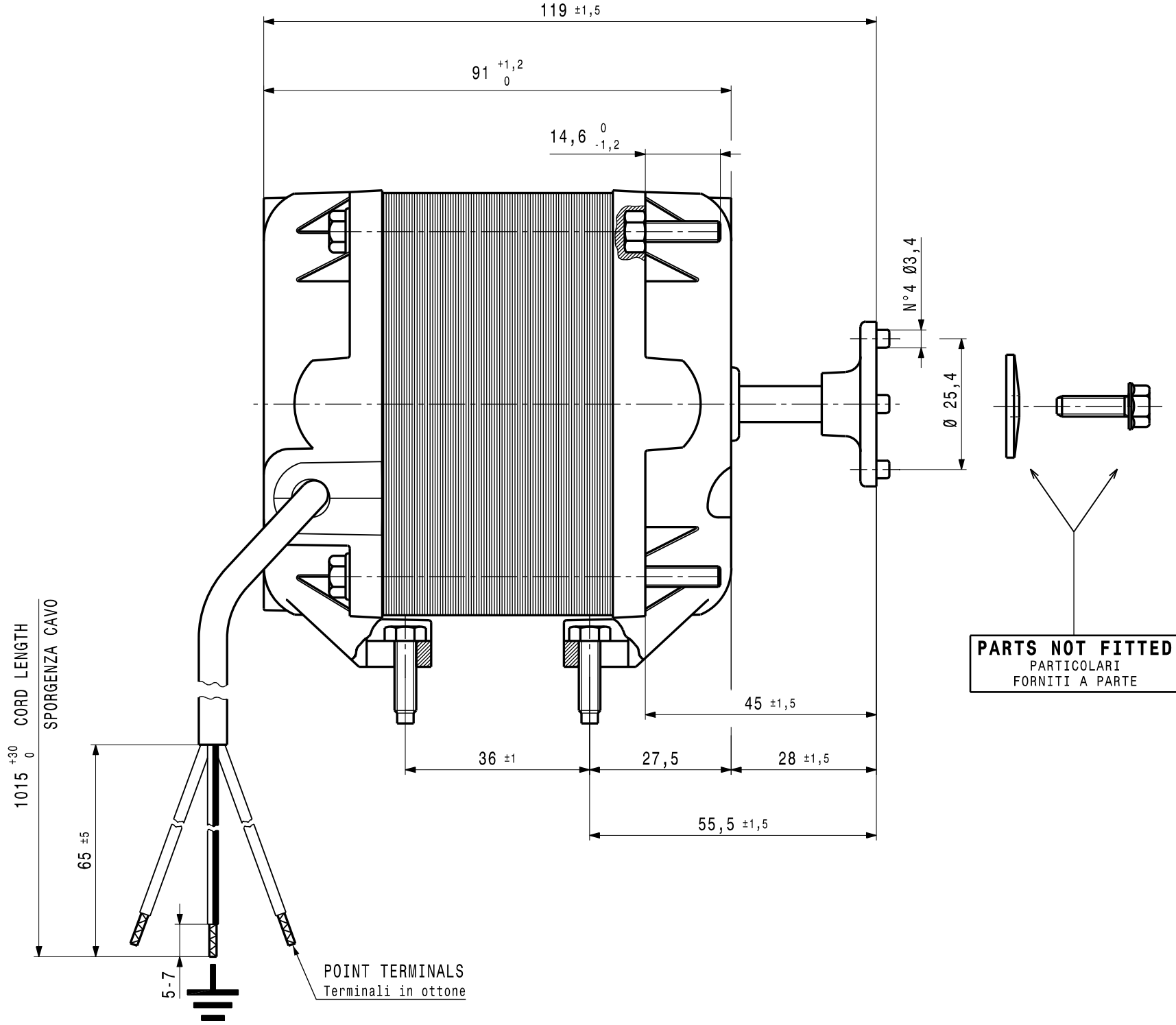
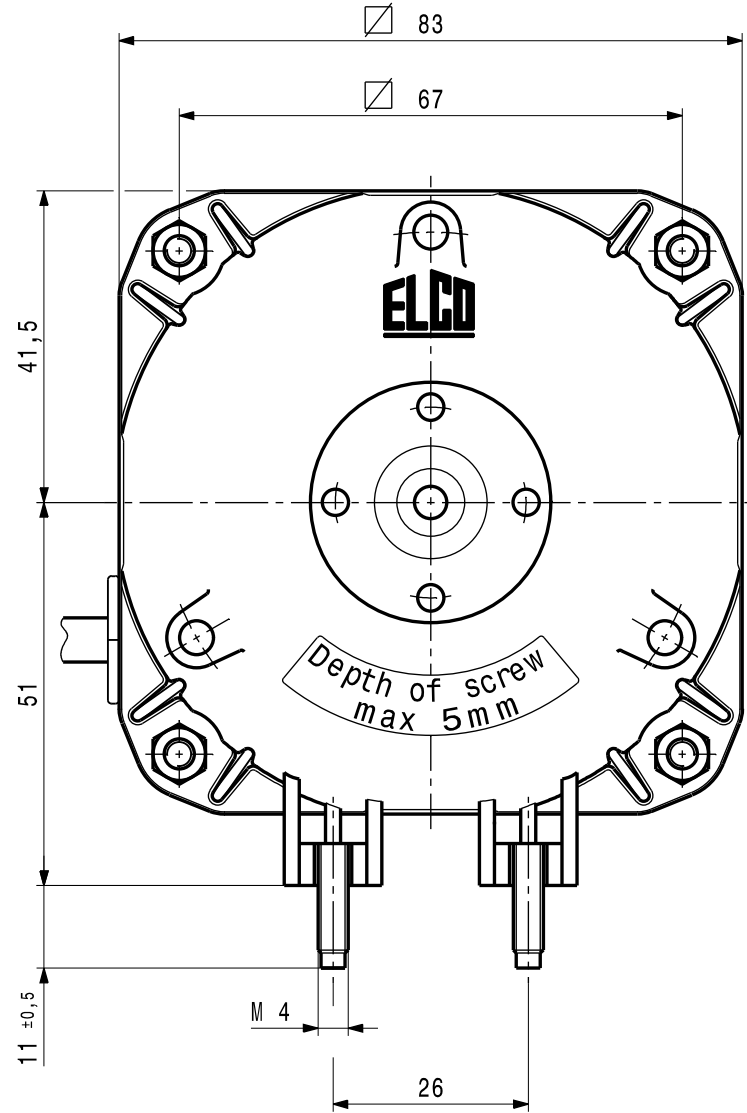


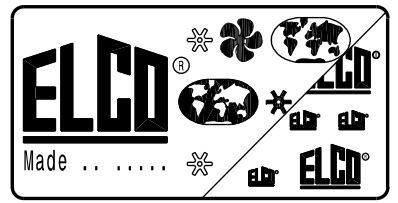
CCW ROTATION  
 ROTAZIONE ANTIORARIA



DRAWING MADE BY  
 CAD  
 HAND MADE MODIFICATIONS ARE FORBIDDEN

- ALUMINIUM END-SHIELDS (COPERCHI IN ALLUMINIO)
- ASSEMBLY NOTE :RULE EL.UN.0002
- MECHANICAL CHECK :RULE EL.CM. 001
- LABEL LOCATION :RULE EL.UN.0053
- ELECTRICAL CHECK: M.943/3

VNT 34-45 /389 DATA  
 230V~50/60Hz 0,87A  
 34/120W 1300/1550Rpm  
 PROT.TERM. CL.B  
 AB28 NET3T34PVN001



Rel	Date	Description	Executor signature	Checked
D	18-01-10	Updating due to VDE Certification (old 230/240V - new 230V)	R.M.T.09/0012 A.T.	S.Mapelli T.Sirtori
C	16-09-09	Added GOST logo in data label.	R.M.T.09/0006 A.T.	M.Cazzaniga T.Sirtori
B	05-06-06	Aggiornato targhette, scritta su cop.ant. (era 'Made in Italy'), note e grafica.	M.Cazzaniga	T.Sirtori
A	10-09-02	Aggiornato grafica (coperchio anter.c/dado incassato), quote e note a disegno.	M.APRUZZESE	

	For dim. without tolerance see standard UNI EN 22768-mK Drawn M.APRUZZESE Date 03/05/01 Check - Scale 1:1	Treatment . Material . <b>MOTOR VNT 34-45 /389</b> 230V ~ 50/60Hz 'VDE' RULES	Weight . Ref.No R.S.0110/01 <b>NET3T34PVN001</b>	A3 Release <b>D</b>
--	---	---	--	------------------------

MODIFICATIONS